

D & D PRODUCTION INC.®

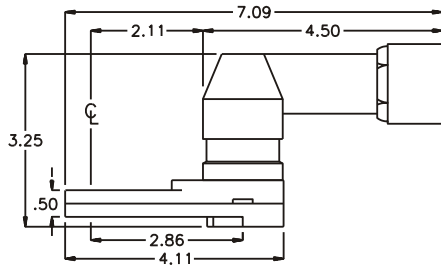
ASSEMBLY NO. 251617-1

HEAD NO. 8211

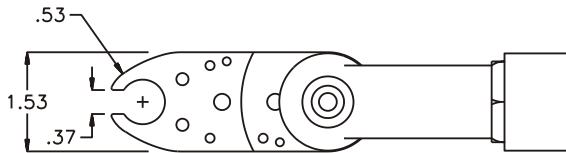
CROWFOOT ASS'Y
Rev. B
04-11-03

2500 WILLIAMS DRIVE • WATERFORD, MI • 48328 PHONE : (248) 334-2112 • FAX : (248) 334-0062

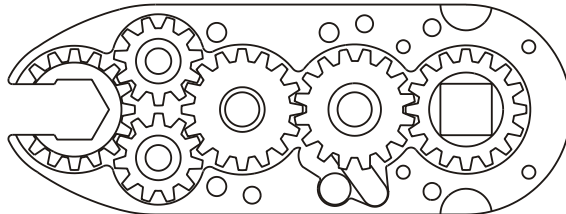
SIDE VIEW



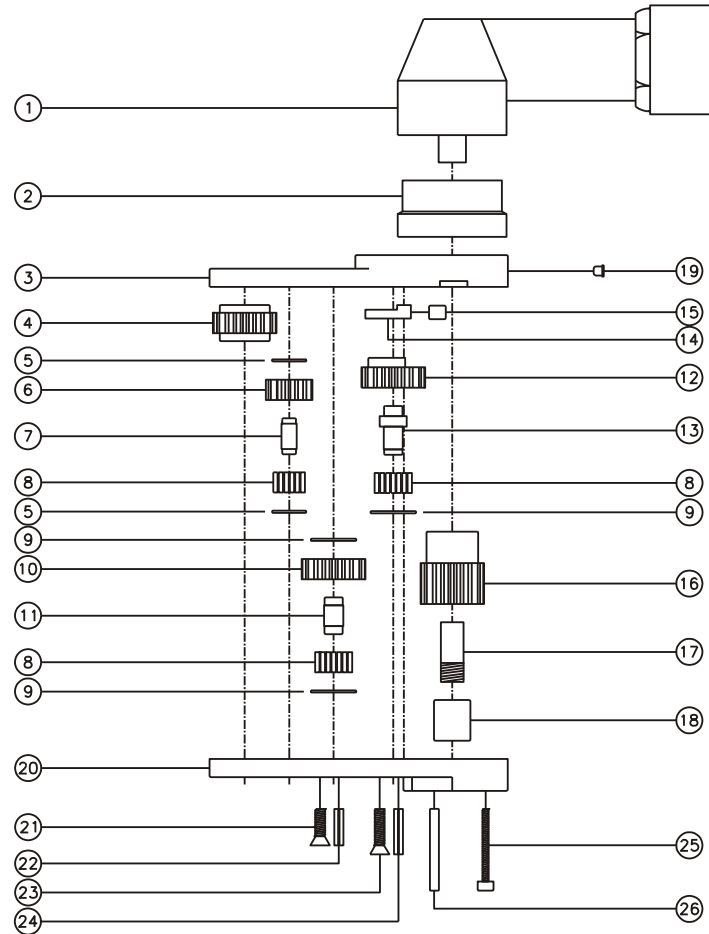
TOP VIEW



GEAR ASSEMBLY



PARTS BLOWOUT



| ITEM | DESCRIPTION | PART NO. | ITEM | DESCRIPTION | PART NO. | ITEM | DESCRIPTION | PART NO. |
|------|----------------------|-------------|------|-----------------------|------------|------|---------------|----------|
| 1 | Angle Head | AM3 | 11 | Lg. Idler Pin | IP-0816D | 21 | Screw #1 (2) | S-808 |
| 2 | Angle Head Adapter | HA 3530 | 12 | Cam Gear | 201613-C | 22 | Roll Pin #1 | RP-808 |
| 3 | Gear Housing (Top) | 251617-1-H | 13 | Cam Pin | IP-0822 | 23 | Screw #2 | S-810 |
| 4 | Socket Gear | 201616-1-XX | 14 | Pawl | 8210-P | 24 | Roll Pin #2 | RP-810 |
| 5 | Sm. Thrust Race (4) | TRA-029 | 15 | Pawl Spring | RSS-0810 | 25 | Screw #3 (4) | S-418SH |
| 6 | Sm. Idler Gear (2) | 201109 | 16 | Drive Gear | 201632-SD | 26 | Dowel Pin (2) | DP-818 |
| 7 | Sm. Idler Pin (2) | IP-0716 | 17 | Drive Pin | TP-5926 | | | |
| 8 | Bearing Needles (62) | LR15M9 | 18 | Needle Bearing | B-59 | | | |
| 9 | Lg. Thrust Race (3) | TRA-411 | 19 | Grease Fitting | 1877 | | | |
| 10 | Lg. Idler Gear | 201609 | 20 | Gear Housing (Bottom) | 251617-1-P | | | |